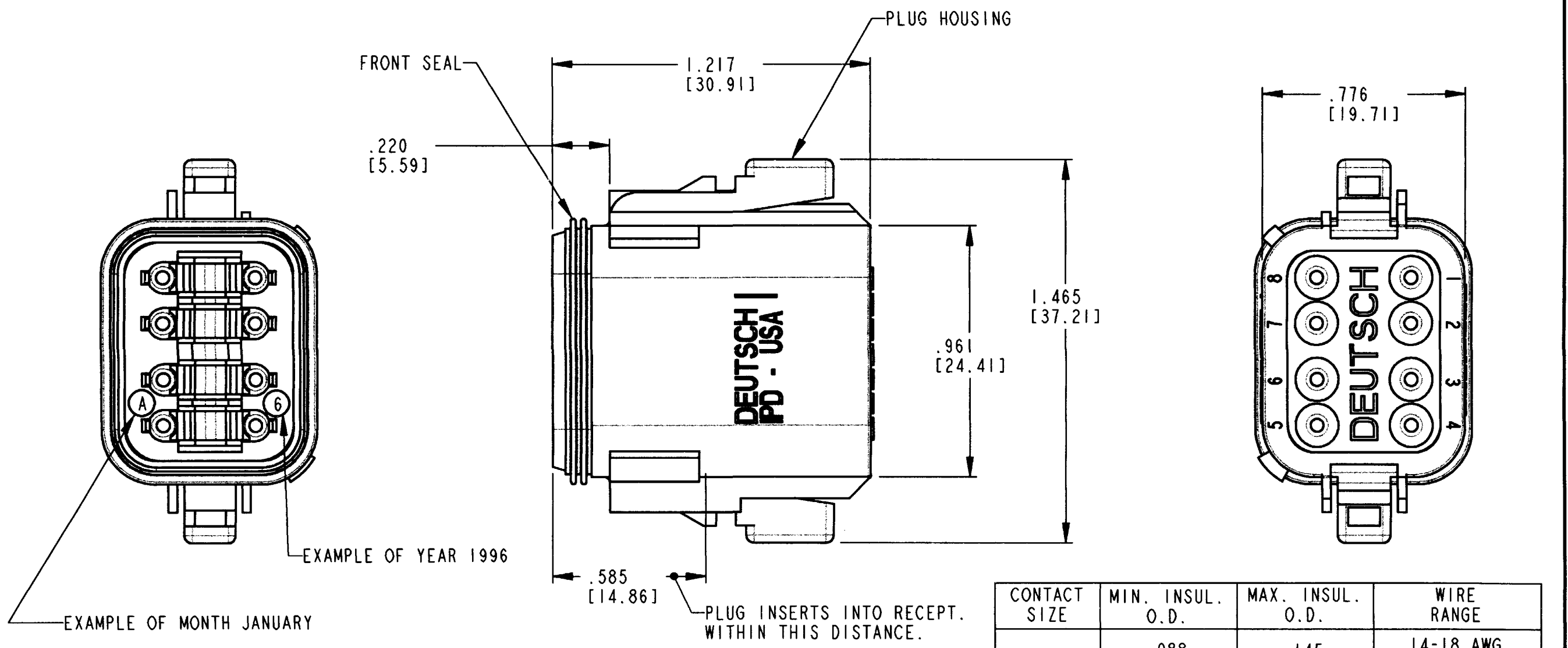


REV A	DT06-08SA-P012	REVISIONS		
SYM	DESCRIPTION	DATE	APPROVED	
NC	NEW RELEASE PER. E.O. P15118	1-9-97	RDR	
A	REVISED PER E.O. P15827	12-31-98	RDR	



CONTACT SIZE	MIN. INSUL. O.D.	MAX. INSUL. O.D.	WIRE RANGE
16	.088 [2.23]	.145 [3.68]	14-18 AWG [2.0-0.75mm ²]

- NOTES:
1. DIMENSIONS ARE IN INCHES [METRIC].
 2. DIMENSION TOLERANCE: ±.025 [0.63].
 3. W8S-P012 WEDGE LOCK SOLD SEPARATELY.
 4. FOR CONTACT AND WIRE PERFORMANCE AND APPLICATION CHARACTERISTICS SEE ENVELOPE DRAWING 0425-015-0000 AND 0425-017-0000.
 5. THIS PLUG MATES WITH DT04-08PA, DT13-08PA, DT15-08PA RECEPTACLE.

SIGNATURE & DATE	
DR	H. TRAN AUG-20-96
CHK	<i>S. Beard</i> 12-31-98
PE	<i>Radini, Tom</i> NOV-16-98
APPD	<i>R. Reed</i> 12-31-98
SCALE	WT

**8 WAY PLUG
FOR KEY ARR. -A-
COLOR: GREY
DT SERIES**

ENVELOPE

CP	MATL CODE
The Deutsch Company DEUTSCH I.P.D. 3850 INDUSTRIAL AVE. HEMET, CALIF. 92545	
B	DT06-08SA-P012
DWG SIZE	CODE 11139 SHEET 1 OF 1